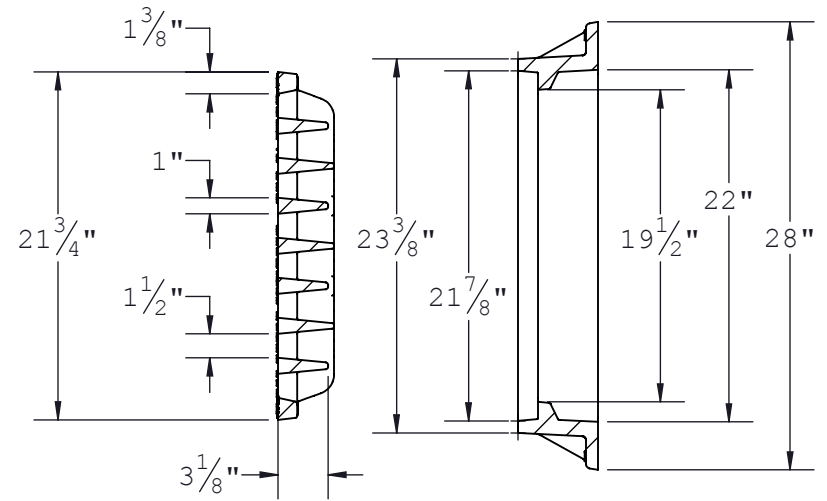
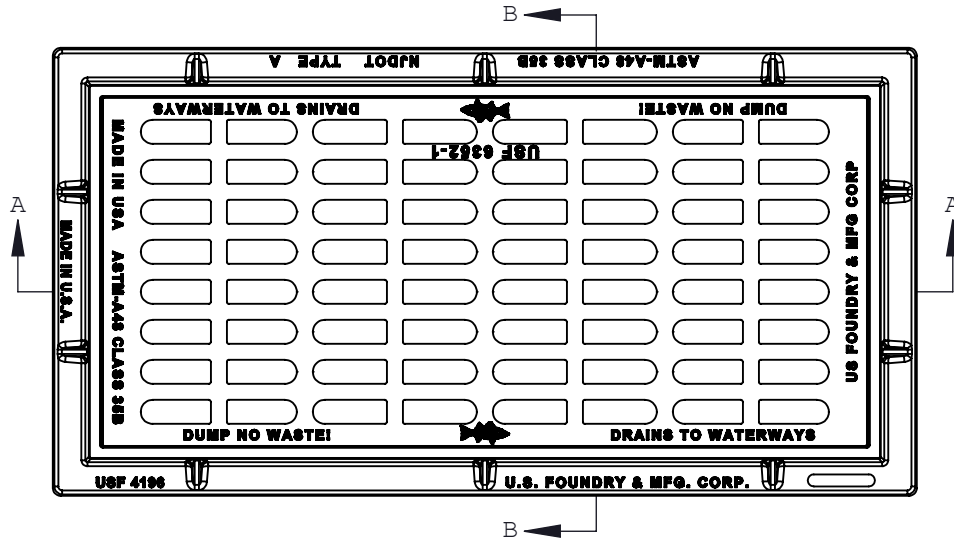
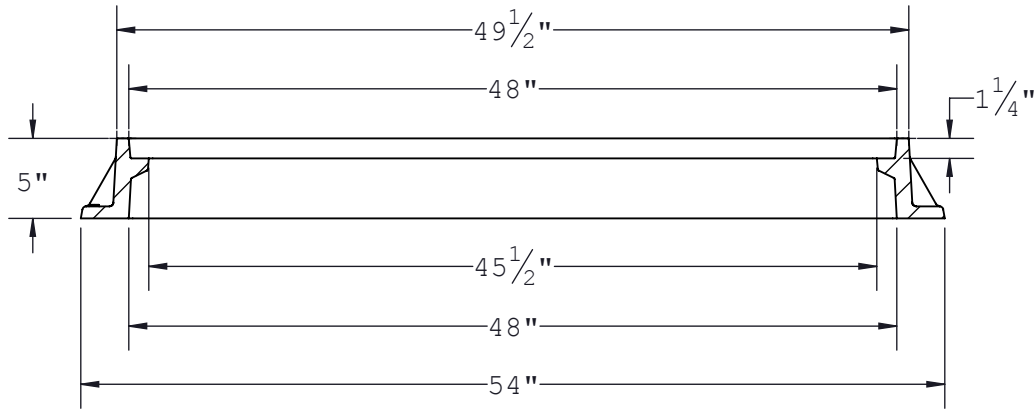
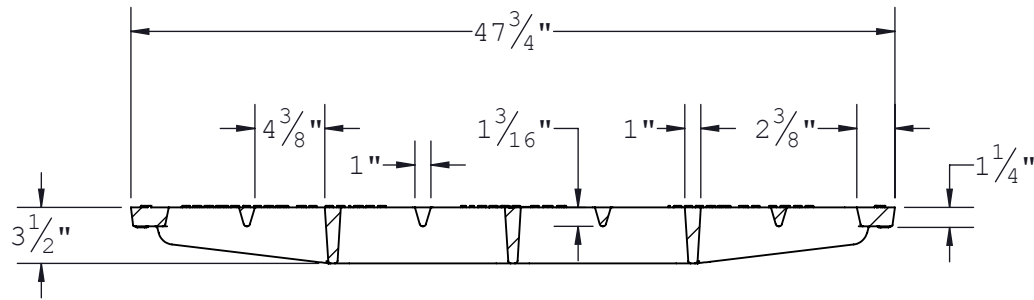


THE INFORMATION CONTAINED IN THIS DRAWING IS THE SOLE PROPERTY OF U.S. FOUNDRY & MANUFACTURING CORP. ANY REPRODUCTION IN PART OR AS A WHOLE WITHOUT THE WRITTEN PERMISSION OF U.S. FOUNDRY & MANUFACTURING CORP. IS PROHIBITED. U.S. FOUNDRY & MANUFACTURING CORP. RESERVES THE RIGHT TO MAKE MODIFICATIONS TO DESIGN WITHOUT PRIOR NOTICE. DRAWING IS UNCONTROLLED WHEN PRINTED. WEIGHTS AND DIMENSIONS ARE PROVIDED FOR REFERENCE ONLY © 2015 US FOUNDRY AN EAGLE MANUFACTURING COMPANY



SECTION B-B



SECTION A-A


**US FOUNDRY**  
 AN EAGLE MANUFACTURING COMPANY © 2015 All Rights Reserved

8351 NW 93rd Street  
 Medley, FL, 33166-2025  
 ph: 1-800-432-9709  
 fax: 305-887-9429  
 www.usfoundry.com

## USF 4196 Frame & 6352-1 Grate

LOAD CLASSIFICATION: <b>Heavy Duty</b>		FLOW AREA: <b>416.5 in<sup>2</sup></b>
MATERIAL: <b>Gray Cast Iron</b>		<b>ASTM-A48 Class 35B</b>
ITEM:	BAAN #	DRAWING
Frame	<b>8030491</b>	DATE <b>8/15/2014</b>
Grate	<b>8077064</b>	
Assembly	<b>8040432</b>	DRAWN BY <b>AB</b>
REV	DATE	REV BY
0		
		QUOTE #

Customer Drawing