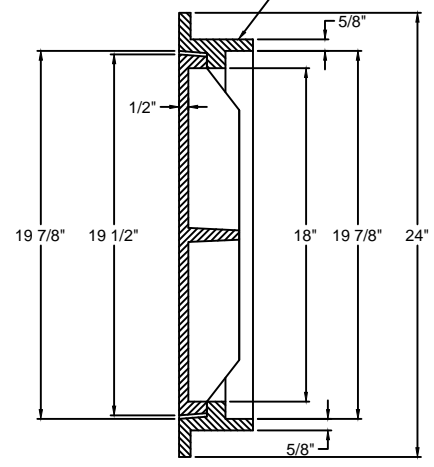
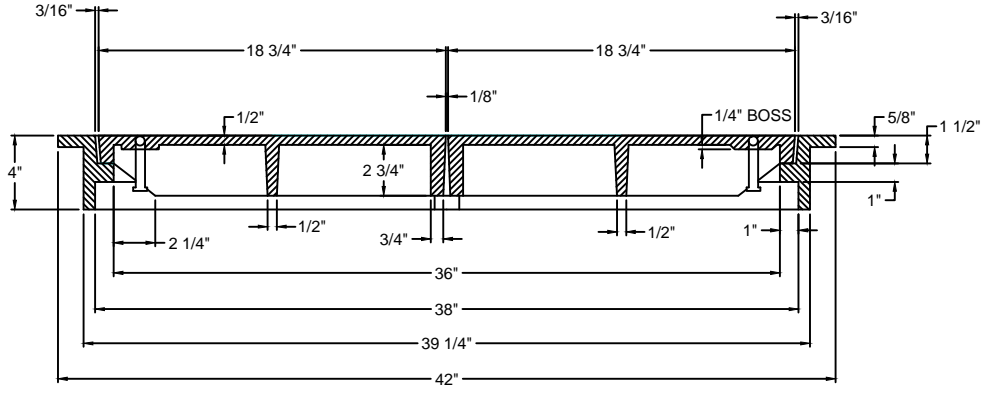


2LIFT HANDLES 1/2"Ø GALVANIZED STEEL ROD - THREADED BOTH ENDS & WITH HEX NUTS TACKWELDED

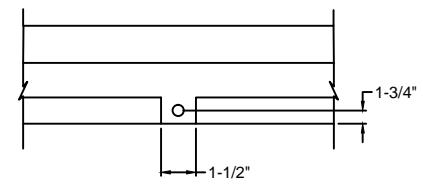
DRILL & TAP FOR 3/8"Ø -16 NC GROUNDING BOLT & WASHER [SEE DETAIL - A]



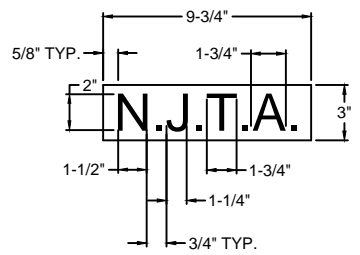
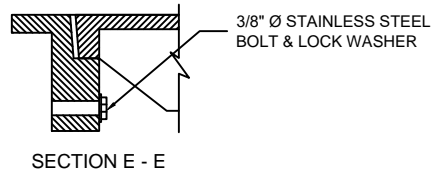
SECTION B-B



SECTION A-A



PAD UNDER SEAT FOR CONNECTOR



NO	ZONE	BY	DATE	REVISION DESCRIPTION

GENERAL FOUNDRIES INC
1 PROGRESS ROAD, NORTH BRUNSWICK
NEW JERSEY-08902 PH: 732-951-9001
www.generalfoundries.com

JUNCTION BOX FRAME & COVERS FOR NJTA

OWNER	PROJECT	GENERAL CONTRACTOR	MATERIAL/COATING	COUNTRY OF ORIGIN	PREPARED BY	
					NAME	DATE
NEW JERSEY TURNPIKE AUHORITY			MATERIAL: COVER: DUCTILE IRON, ASTM A536, GRADE 65-45-12 FRAME: GRAY IRON ASTM A48, CLAS 30B COATING: (FRAME & COVER) - HOT DIP GALVANIZING AS PER ASTM A153	INDIA	CSK	12/02/2008
					AJ	12/02/2008

DRAWING #	SCALE	DATE	SHEET #
NJTA.36X18 JB	NTS	12/02/2008	001.0