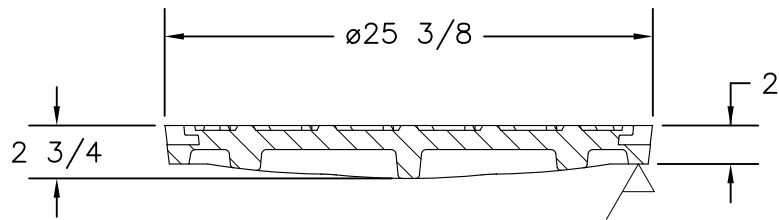
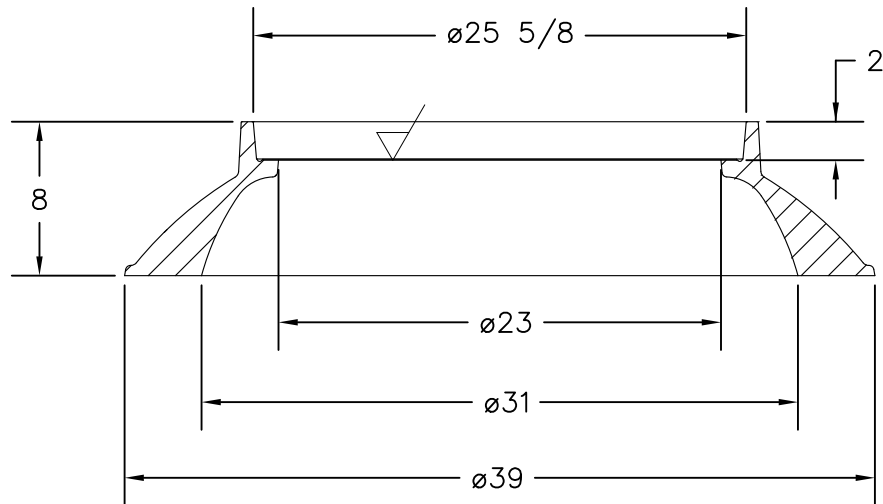
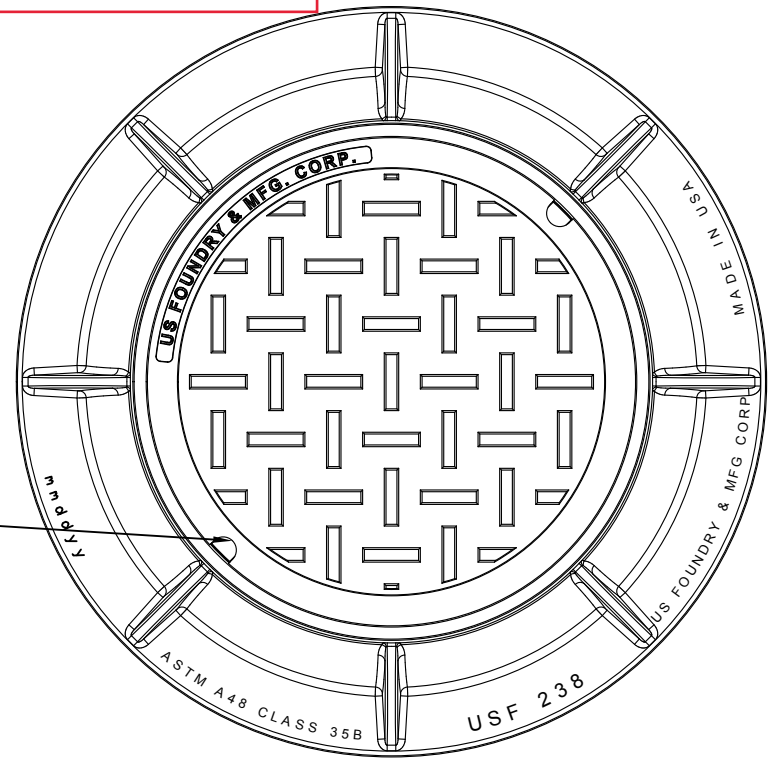


THE INFORMATION CONTAINED IN THIS DRAWING IS THE SOLE PROPERTY OF U.S. FOUNDRY & MANUFACTURING CORP. ANY REPRODUCTION IN PART OR AS A WHOLE WITHOUT THE WRITTEN PERMISSION OF U.S. FOUNDRY & MANUFACTURING CORP. IS PROHIBITED. U.S. FOUNDRY & MANUFACTURING CORP. RESERVES THE RIGHT TO MAKE MODIFICATIONS TO DESIGN WITHOUT PRIOR NOTICE. DRAWING IS UNCONTROLLED WHEN PRINTED. WEIGHTS AND DIMENSIONS ARE PROVIDED FOR REFERENCE ONLY © 2014 US FOUNDRY AN EAGLE MANUFACTURING COMPANY

**LABELED  
"SANITARY"**



(2) NON-PENETRATING PICKHOLES




**US FOUNDRY**  
 AN EAGLE MANUFACTURING COMPANY © 2013 All Rights Reserved

8351 NW 93rd Street  
 Medley, FL, 33166-2025  
 ph: 1-800-432-9709  
 fax: 305-887-9429  
 www.usfoundry.com

**USF 238 Ring & IF Cover**

|  |         |                 |
|--|---------|-----------------|
| LOAD CLASSIFICATION: Heavy Duty        |         |                 |
| MATERIAL: ASTM-A48 GRAY IRON CLASS 35B |         |                 |
| Ring No:                               | 8021717 |                 |
| Cover No:                              |         | DATE: 3/17/2014 |
|  |         | OWN. BY: AB     |
| REV: 0                                 | DATE:   | REV BY: QUOTE#  |