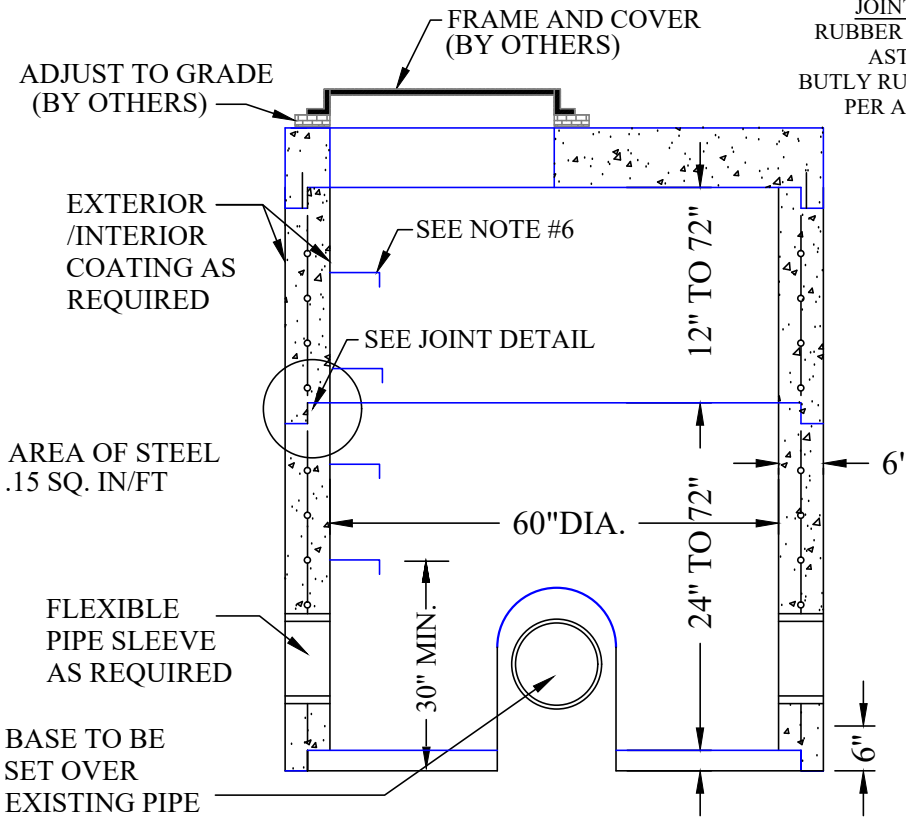
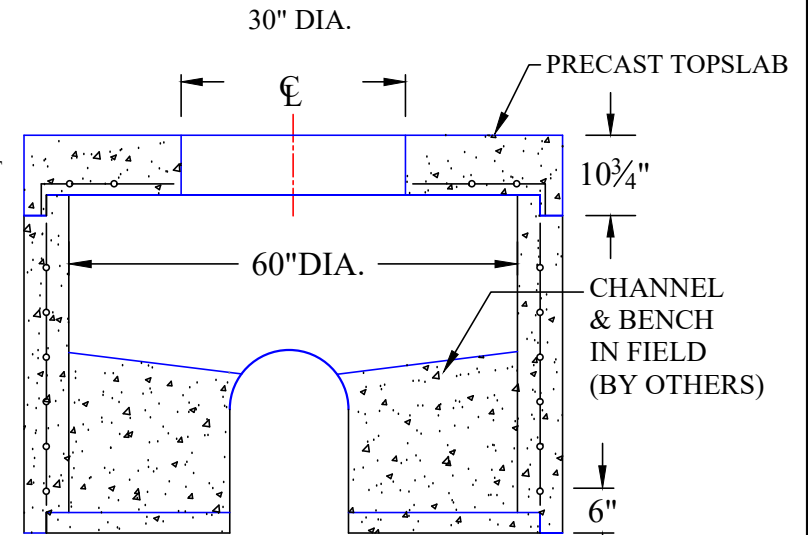


JOINT DETAIL
 RUBBER GASKET PER
 ASTM C-443
 BUTLY RUBBER GASKET
 PER ASTM C-997



60" DOG HOUSE RISER WITH TOP SLAB



60" DOG HOUSE RISER WITH TOP SLAB

NOTES:

1. 4000 PSI CONCRETE AT 28 DAYS.
2. RISERS, CONES AND SLABS IN ACCORDANCE WITH ASTM C-478, LATEST REVISION.
3. INVERT LOCATION TO WITHIN A TOLERANCE OF +/- 1INCH.
4. ANY DEVIATION FROM THIS DRAWING MUST BE MADE TO GSP IN WRITING PRIOR TO PRODUCTION.
5. STEEL REINFORCED COPOLYMER STEPS AT 12" O.C. STARTING 30" OFF FLOOR.

SAN-5

SEPTEMBER 2019

SHEET 1 OF 1	WEIGHT PER VERTICAL FOOT = 1,295 LBS 10 3/4" TOP SLAB = 2,875 LBS	PRECAST 60" DIAMETER DOGHOUSE MANHOLE ASSEMBLY - SANITARY	GARDEN STATE PRECAST FARMINGDALE, N.J. PHONE #: 732-938-4436 FAX #: 732-938-7096
-------------------------------------	--	---	---