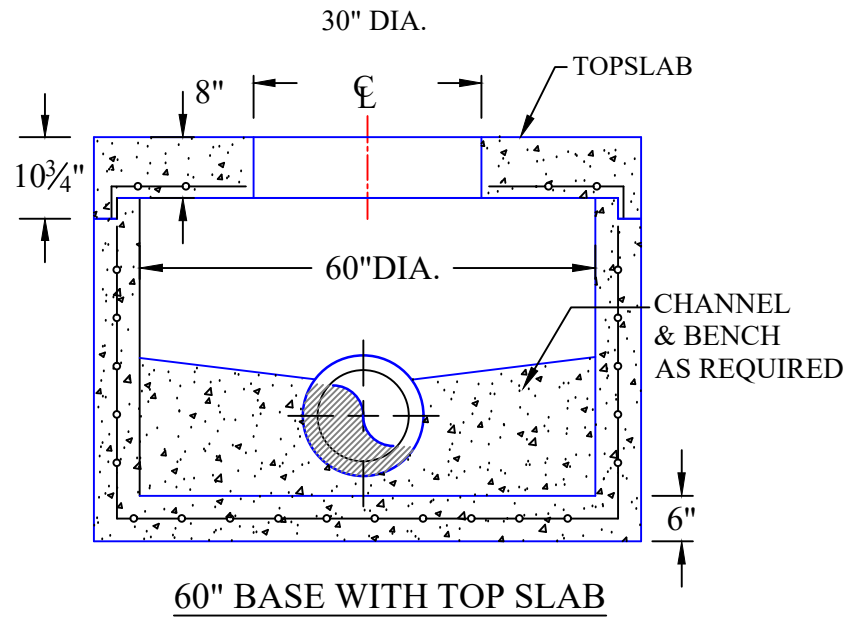


**JOINT DETAIL**  
 RUBBER GASKET PER  
 ASTM C-443  
 BUTLY RUBBER GASKET  
 PER ASTM C-997



**NOTES:**

1. 4,000 PSI CONCRETE AT 28 DAYS
2. RISERS, CONES & SLABS IN ACCORDANCE WITH ASTM C-478 LATEST REVISION.
3. ANY DEVIATION FROM THIS DRAWING MUST BE NOTIFIED TO GSP IN WRITING PRIOR TO PRODUCTION.
4. GRADE- INVERT ELEVATION < 4.0 FT NO STEPS REQUIRED
5. STEEL REINFORCED COPOLYMER STEPS @ 12" O.C. STARTING 30" OFF FLOOR, 24" FROM BENCH MAX.

SAN-4

SEPTEMBER 2019

SHEET 1 OF 1	WEIGHT
	6" BASE = 2,840 LBS PER VERTICAL FOOT = 1,295 LBS 10 3/4" TOP SLAB = 2,875 LBS

PRECAST  
 60" DIAMETER MANHOLE  
 ASSEMBLY WITH TOP SLAB  
 SANITARY

GARDEN STATE PRECAST  
 FARMINGDALE, N.J.  
 PHONE #: 732-938-4436 FAX #: 732-938-7096