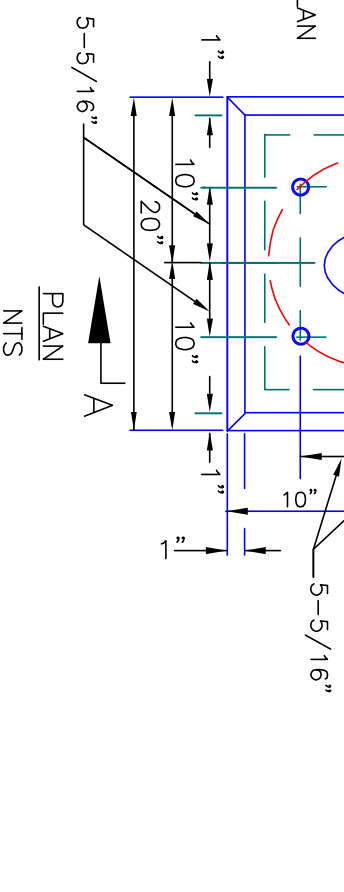
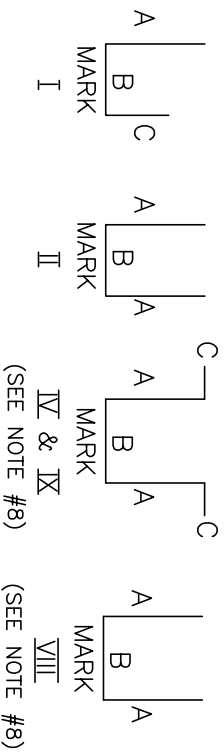
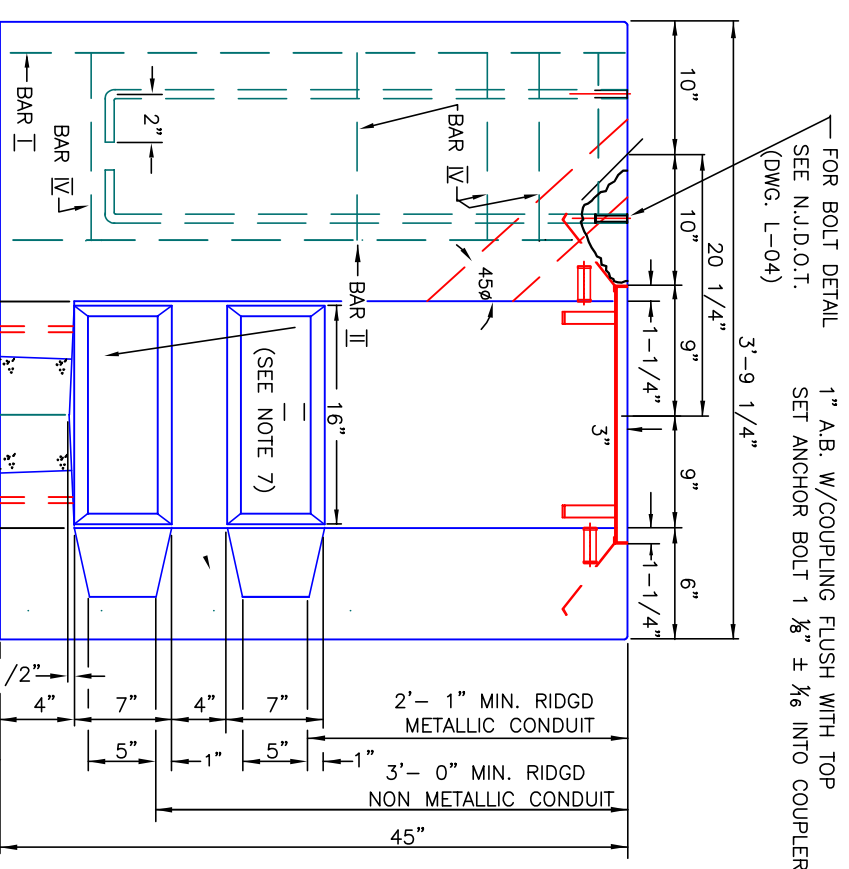


ALTERNATE LOCATION IF REQUIRED BY GENERAL PLAN (SEE NOTE 8)

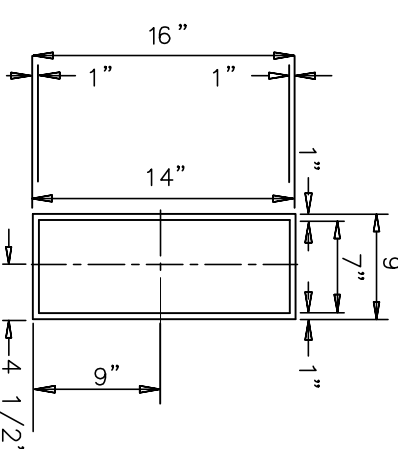
MARK	SIZE NO. 4 RODS	NO. RODS REQ.
A	41"	2
B	40"	2
C	40"	2
IV	15"	4
VIII	40"	2
IX	15"	4



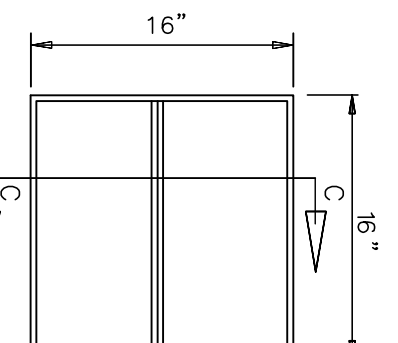
PLAN NTS



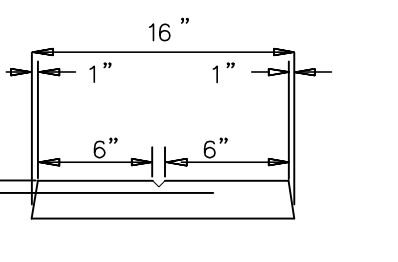
SECTION A-A NTS



ALTERNATE RECESS (VERTICAL) ARRANGEMENT FOR SIDE WALLS DETAIL "B" NTS



ALTERNATE RECESS ARRANGEMENT FOR END WALLS DETAIL "A" NTS



SECTION C-C

- NOTES:
1. THE CONSTRUCTION AND INSTALLATION OF PRECAST JUNCTION BOX FOUNDATION AND 18"x36" JUNCTION BOX SHALL CONFORM TO SPECIFICATIONS FOR THE CONTRACT AND DETAILS AND NOTES SHOWN ON THIS DRAWING.
 2. COMPACTED $\frac{3}{4}$ " GRAVEL OF BROKEN STONE BASE REQUIRED FOR ALL PRECAST UNITS, MINIMUM DEPTH OF 8".
 3. A 18" X 8" X 4" RECESS TO BE PROVIDED IN SIDE AND END WALLS AS SHOWN.
 4. AFTER INSTALLATION OF CONDUIT, ALL OPEN RECESSES ARE TO BE COMPLETELY BRICKED AND FINISHED.
 5. AN ALTERNATE RECESS ARRANGEMENT MAY BE SUBSTITUTED AS SHOWN BELOW IN DETAIL "A" & "B". IF THIS ARRANGEMENT IS USED AND THE CONDUIT IS BROUGHT INTO THE JUNCTION BOX THROUGH THE TOP OF THE RECESS THEN THE ENTIRE RECESS MUST BE BRICKED FROM TOP TO BOTTOM.
 6. PRECAST JUNCTION BOX FOUNDATION MAY BE INSTALLED BEHIND THE GUIDE RAIL OR IN AREAS WHERE THE SLOPE IS LESS THAN 1:22.
 7. CONCRETE TO BE CLASS "A".
 8. GRACE STRUX 90/40 FIBER REINFORCEMENT, DOSAGE RATE OF 5.0 LB/CUYD OR BASF MAC100 FIBER REINFORCEMENT, DOSAGE RATE OF 5.0 LB/CUYD OR NYCON XL FIBER REINFORCEMENT, DOSAGE RATE OF 5.0 LB/CUYD
 9. FOR ALTERNATE LOCATION FOR THE FOUNDATION, USE MARK 8 AND 9 IN PLACE OF MARK I AND 4.

NJDOT JUNCTION BOX 18"x36" JBF WITH FIBER NJDOT EE# 1278-09



GARDEN STATE PRECAST
1630 WYCKOFF ROAD
WALL, NJ 07719

P. 732-938-4436

F. 732-938-7096

