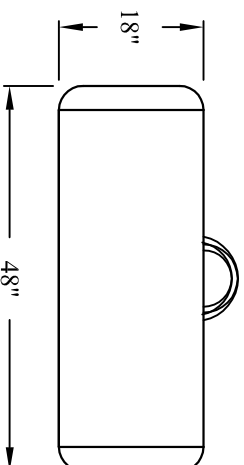
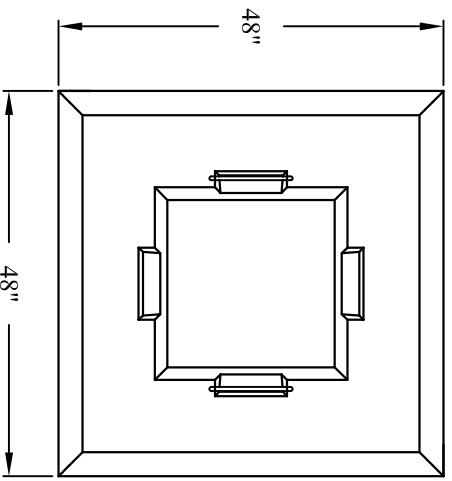


ELEVATION



SECTION



PLAN VIEW

Date Pre: _____	Date Post: _____
Form ID: _____	Dimensions: _____
Dimensions: _____	Square: _____
Square: _____	Blockouts: _____
Condition: _____	Joints: _____
Form Oil: _____	Lifters: _____
Steel: _____	Finish: _____
Joints: _____	Curing Complete: _____
Lifter/Location: _____	Defects: _____
Checked By: _____	Checked By: _____

4000 PSI CONCRETE
WEIGHT: 2600 POUNDS

(C) STONE STRONG 90° CORNER BLOCK