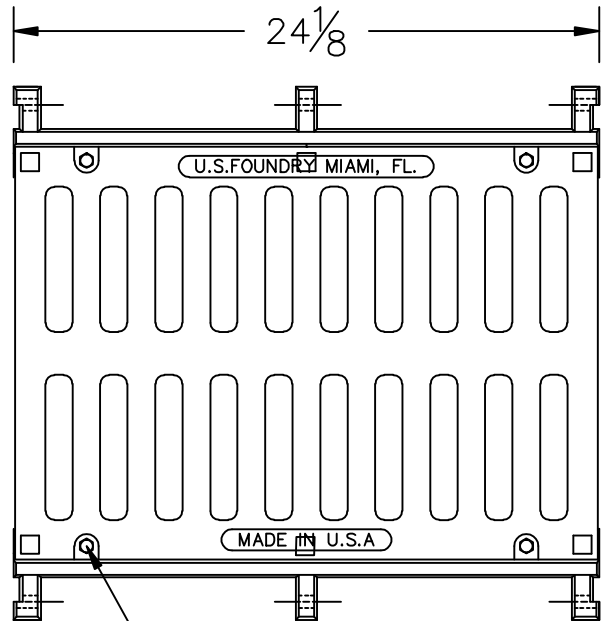
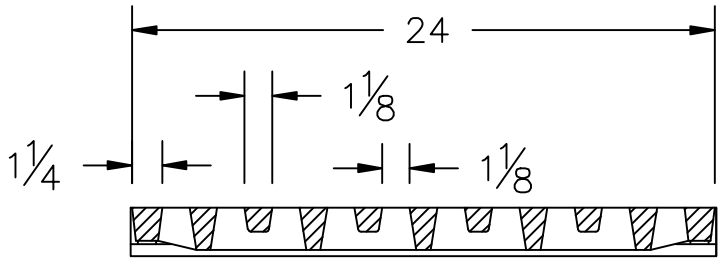
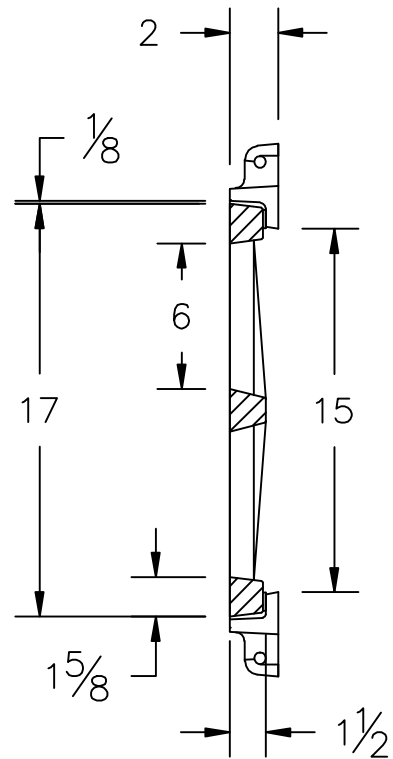



THE INFORMATION CONTAINED IN THIS DRAWING IS THE SOLE PROPERTY OF U.S. FOUNDRY & MANUFACTURING CORP. ANY REPRODUCTION IN PART OR AS A WHOLE WITHOUT THE WRITTEN PERMISSION OF U.S. FOUNDRY & MANUFACTURING CORP. IS PROHIBITED. U.S. FOUNDRY & MANUFACTURING CORP. RESERVES THE RIGHT TO MAKE MODIFICATIONS TO DESIGN WITHOUT PRIOR NOTICE. DRAWING IS UNCONTROLLED WHEN PRINTED. WEIGHTS AND DIMENSIONS ARE PROVIDED FOR REFERENCE ONLY © 2015 US FOUNDRY AN EAGLE MANUFACTURING COMPANY



4x $\phi 3/8$ " - 16 x $1 3/4$ " Lg
Hx Hd Bolts




US FOUNDRY
 AN EAGLE MANUFACTURING COMPANY © 2015 All Rights Reserved

8351 NW 93rd Street
 Medley, FL, 33166-2025
 ph: 1-800-432-9709
 fax: 305-887-9429
 www.usfoundry.com

USF 6560 Frame & 6455 Grate		FLOW AREA=132 in ²
4x Hx Hd Bolts		
LOAD CLASSIFICATION:	Heavy Duty	
MATERIAL:	ASTM-A48 GRAY IRON CLASS35B	
Frame No:	8030205	SCALE: 1/8"=1"
Grate No:	8070634	DATE: 4/16/2015
		OWN. BY: ULS
REV: 0	DATE:	REV BY:
		QUOTE#