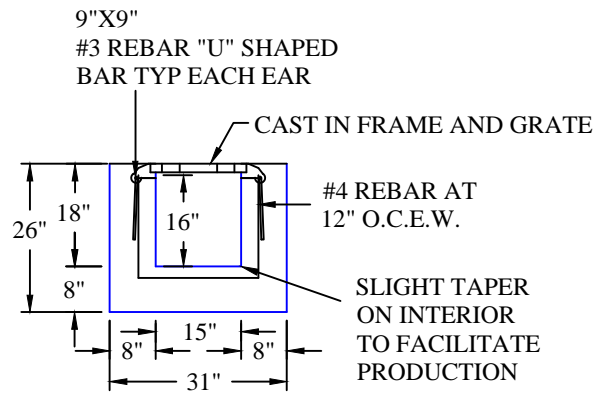
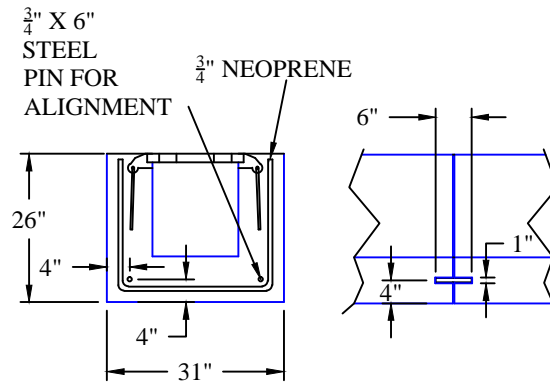


PLAN VIEW



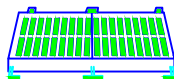
SECTION VIEW



END VIEW JOINT

SECTION VIEW JOINT

DOMESTIC BOLTED
CAST IRON FRAME AND
GRATE, STANDARD OR ADA
AVAILABLE



CASTING

NOTES:

1. 5000 PSI CONCRETE AT 28 DAYS.
2. ANY ALTERATION TO THIS DRAWING MUST BE MADE IN WRITING TO GSP PRIOR TO PRODUCTION.
3. CONTRACTOR TO OFFLOAD AT JOB SITE.
4. FRAMES AND GRATES SUPPLIED BY GARDEN STATE
5. HS-20 LOADING

SHEET
1 OF 1

WEIGHTS AND LIFTING:

144" CENTER SECTION = 8,600 LBS.

PRECAST TRENCH DRAIN
TYPE 1 TD
15" WIDE X 18" DEEP

GARDEN STATE PRECAST
FARMINGDALE, N.J.
PHONE #: 732-938-4436 FAX #: 732-938-7096