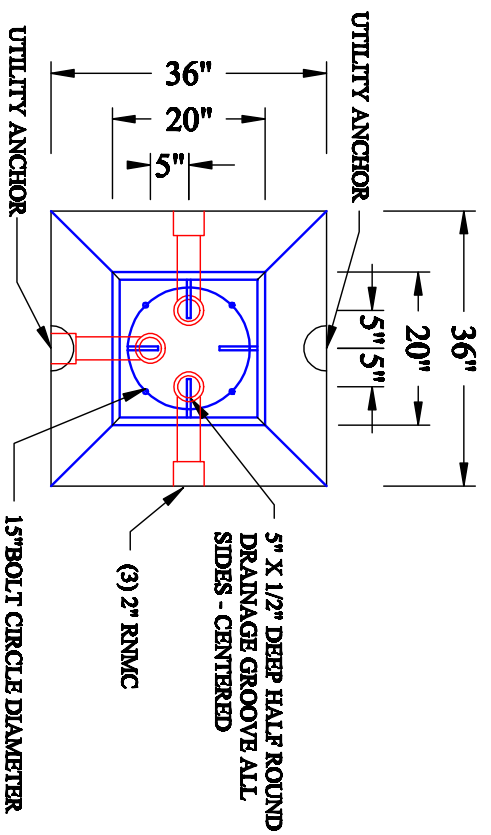


SECTION VIEW  
1. CLASS C CONCRETE  
WEIGHT-3,700 LBS



PLAN VIEW  
NOTES  
RNMCM AND ANCHOR BOLTS  
SUPPLIED BY GSP

APRIL 2020

ELT-25

SHEET <b>1</b> OF <b>1</b>	CLASS "A" CONCRETE WEIGHT=3,700 LBS.	PRECAST NJTA TYPE "3"	LIGHT POLE BASE  <b>GARDEN STATE PRECAST</b> FARMINGDALE, N.J. PHONE #: 732-938-4436 FAX #: 732-938-7096
-------------------------------------	---	--------------------------	--