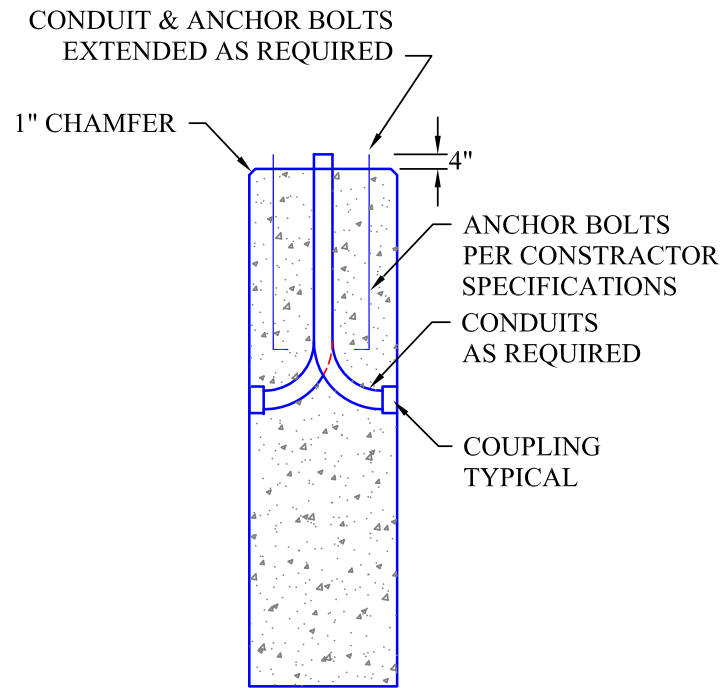
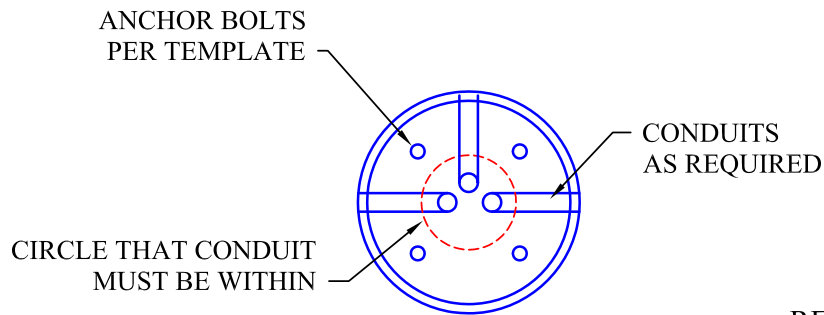


**REINFORCEMENT PLAN**



**HARDWARE PLAN**



**PLAN VIEW**  
**18" - 24" - 30" DIAMETER**

**GENERAL NOTES:**

1. 4,000 PSI CONCRETE AT 28 DAYS
2. CONSTRUCTION PER ASTM C-913, LATEST REVISION.
3. ANY ALTERATION TO THIS DRAWING MUST BE MADE TO GARDEN STATE PRECAST IN WRITING PRIOR TO PRODUCTION.
4. DRAWING NOT TO SCALE

**REINFORCEMENT**

WELDED WIRE FABRIC PER ASTM A-185, GRADE 70  
REINFORCEMENT BARS PER ASTM A-615 GRADE 60

AUGUST 2006

NOTE: OTHER SIZES AVAILABLE ON REQUEST

ELT-6

SHEET  
**1**  
OF  
**1**

**PRECAST  
LIGHT POLE BASE  
18" - 24" OR 30" DIAMETER**

**GARDEN STATE PRECAST  
FARMINGDALE, N.J.  
PHONE #: 732-938-4436 FAX #: 732-938-6069**