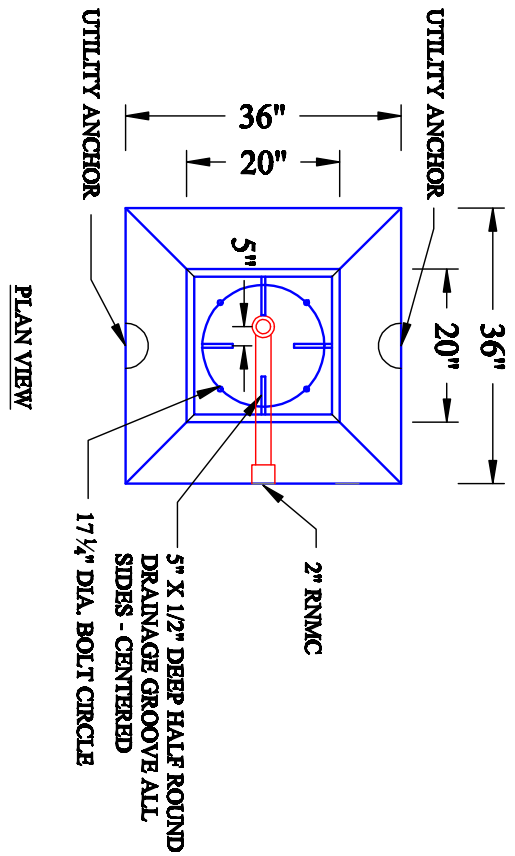


SECTION VIEW  
1. CLASS B CONCRETE.  
WEIGHT=3,700 LBS



PLAN VIEW  
NOTES  
RNMNC AND ANCHOR BOLTS  
SUPPLIED BY GSP

APRIL 2020

ELT-27

SHEET 1 OF 1	CLASS "A" CONCRETE WEIGHT=5,300 LBS.	PRECAST NTA TYPE "S" LIGHT POLE BASE
-----------------	---	--

GARDEN STATE PRECAST  
FARMINGDALE, N.J.  
PHONE #: 732-938-4436 FAX #: 732-938-7096