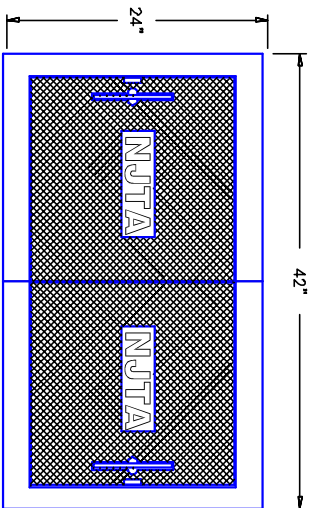
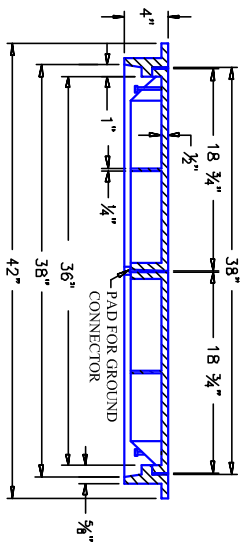


RAISED DIAMOND  
NON-SKID SURFACE

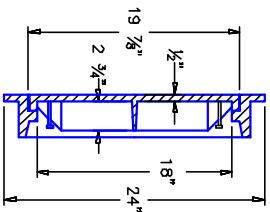


PATTERN # 3361  
DOMESTIC OR IMPORTED  
AS APPROVED BY THE NJTA  
CAST IN TOP OF UNIT

SECTION  
NTS

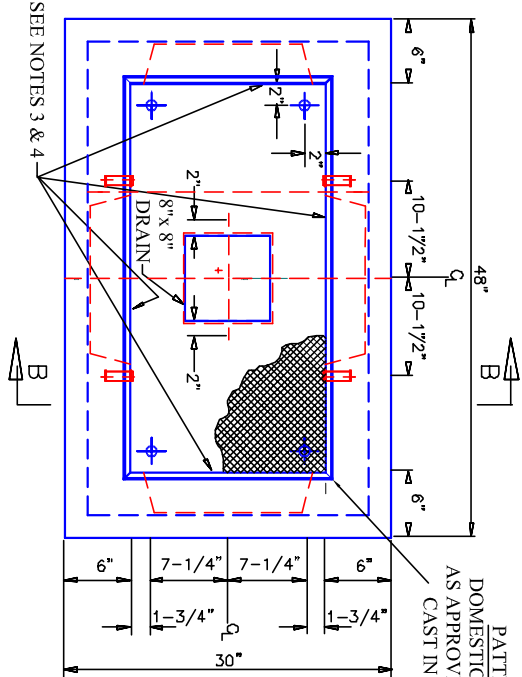


NJTA COVER  
NTS



SECTION  
NTS

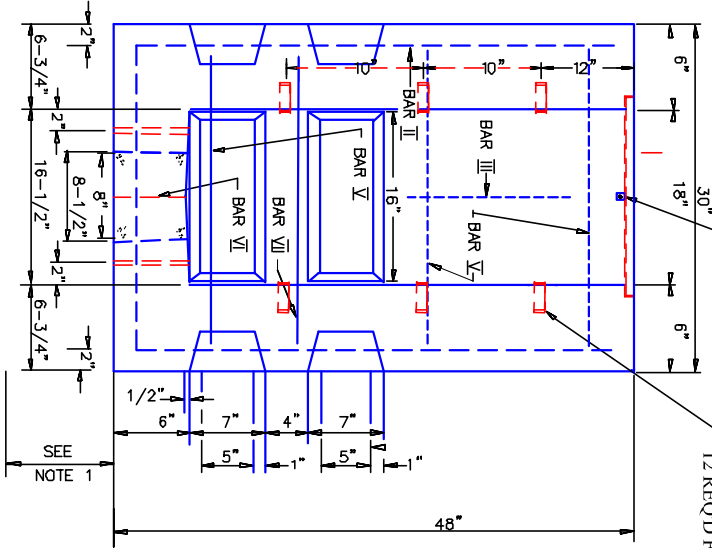
PATTERN # 3361  
DOMESTIC OR IMPORTED  
AS APPROVED BY THE NJTA  
CAST IN TOP OF UNIT



PLAN  
NTS

TYPE C  
JUNCTION BOX

GROUND CONNECTOR  
SEE NOTE 12  
SADDLE RACK INSERT  
1/2" INSERT TYP.  
12 REQ'D FOR TYPE C JB



SECTION B-B  
NTS

SEPT 2011

SHEET  
1  
OF  
2

WEIGHT

TYPE C = 3,700 LBS

PRECAST

TYPE C  
JUNCTION BOX

GARDEN STATE PRECAST  
FARMINGDALE, N.J.  
PHONE #: 732-938-4436 FAX #: 732-938-6069



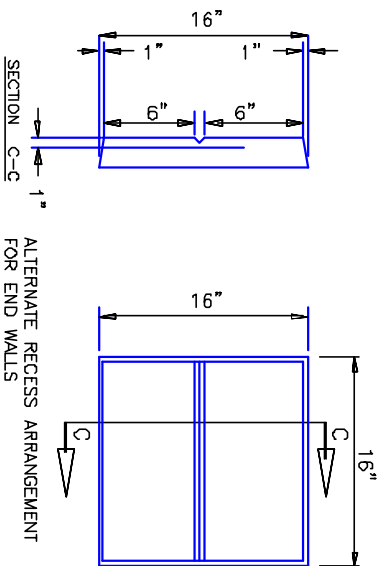
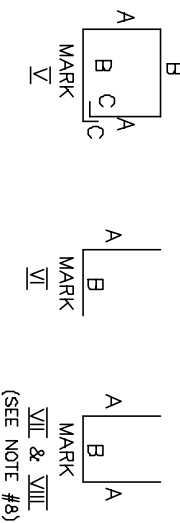
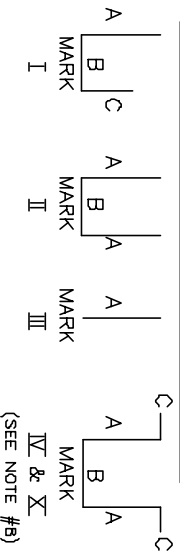
**NPPCA**  
CERTIFIED PLANT

ITEM  
TYPE 1 AND TYPE 2 FOUNDATIONS

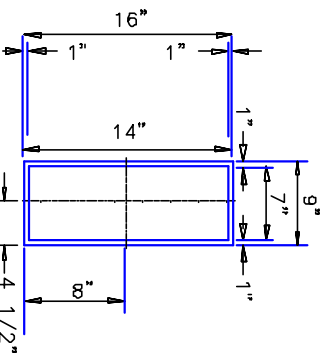
MARK	SIZE	NO. 4 RODS	NO. RODS REQ.
A	41"	49"	40"
B	40"	24"	2
C	19"	25"	12"
IV	15"	26"	4"
V	44"	15"	2
VI	15"	26"	2
VII	40"	59"	2
VIII	15"	16"	4"
IX	15"	16"	4"

ITEM  
TYPE C JUNCTION BOX

MARK	SIZE	NO. 4 RODS	NO. RODS REQ.
A	42"	25"	4
B	21"	—	2
C	44"	26"	4"
VI	2"	16"	2
VIII	15"	26"	—



ALTERNATE RECESS ARRANGEMENT FOR END WALLS  
DETAIL "A"  
NTS



ALTERNATE RECESS (VERTICAL) ARRANGEMENT FOR SIDE WALLS  
DETAIL "B"  
NTS

NOTES:

1. COMPACTED 3/4" GRAVEL OR BROKEN STONE BASE REQUIRED FOR ALL PRECAST UNITS. MINIMUM DEPTH 8".
2. A 14" X 7" X 4" RECESS TO BE PROVIDED IN SIDE AND END WALLS AS SHOWN.
3. AFTER INSTALLATION OF CONDUIT. ALL OPEN RECESSES ARE TO BE COMPLETELY BRICKED AND FINISHED.
4. AN ALTERNATE RECESS ARRANGEMENT MAY BE SUBSTITUTED AS SHOWN BELOW IN DETAIL "A" & "B". IF THIS ARRANGEMENT IS USED AND THE CONDUIT IS BROUGHT INTO THE JUNCTION BOX THROUGH THE TOP OF THE RECESS THEN THE ENTIRE RECESS MUST BE BRICKED FROM TOP TO BOTTOM.
5. PRECAST JUNCTION BOX FOUNDATION MAY BE INSTALLED BEHIND THE GUIDE RAIL OR IN AREAS WHERE THE SLOPE IS LESS THEN 1:22.
6. CLOSE NIPPLE, BRONZE GROUNDING BUSHING, AND CABLE RACKS SUPPLIED BY OTHERS
7. ANCHOR BOLTS AND COUPLING SUPPLIED BY GSP.
8. BOLTS AND WASHERS SUPPLIED BY OTHERS
9. RECESSED LIFTING LUGS SUPPLIED ON BACK AND FRONT OF FOUNDATION.
10. NJTA CLASS B CONCRTE -
11. PLASTIC SADDLE RACK WITH 2" THROAT OPENING INSTALLED & SUPPLIED BY OTHERS.
12. FRAME SHALL CONTAIN A GROUND LUG CONNECTION

SEPT 2011

ELT-20

SHEET

2 OF 2

WEIGHT

N/A

PRECAST

JUNCTION BOX C &  
JUNCTION BOX 1 & 2  
FOUNDATION SPECS

GARDEN STATE PRECAST

FARMINGDALE, N.J.

PHONE #: 732-938-4436 FAX #: 732-938-6069