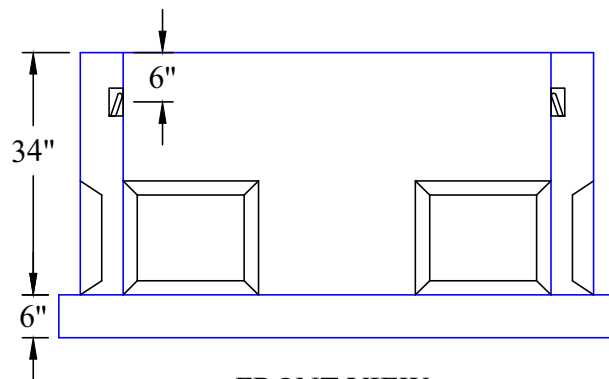
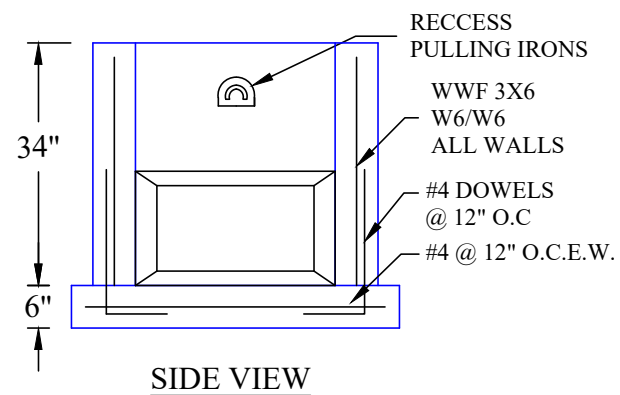


B ←
PLAN VIEW



NOTES.

1. 4000 PSI CONCRETE AT 28 DAYS.
2. REINFORCEMENT STEEL PER ASTM A-185,615
GRADE 70, GRADE 60.
3. ANY ALTERATION TO THIS DRAWING MUST BE MADE
TO GSP IN WRITING PRIOR TO PRODUCTION.
4. DRAWING NOT TO SCALE
5. CONTRACTOR TO OFF LOAD ON SITE.