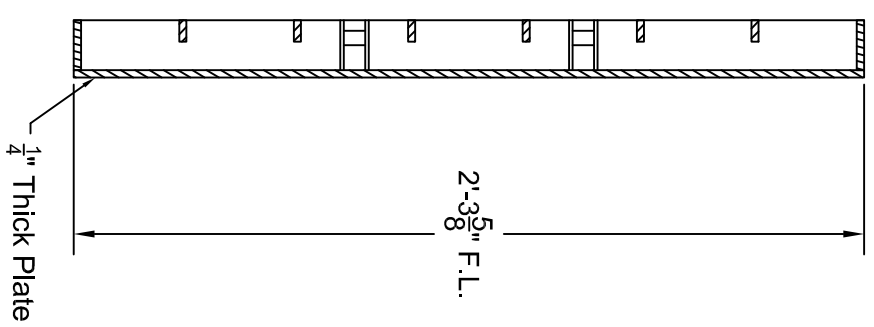
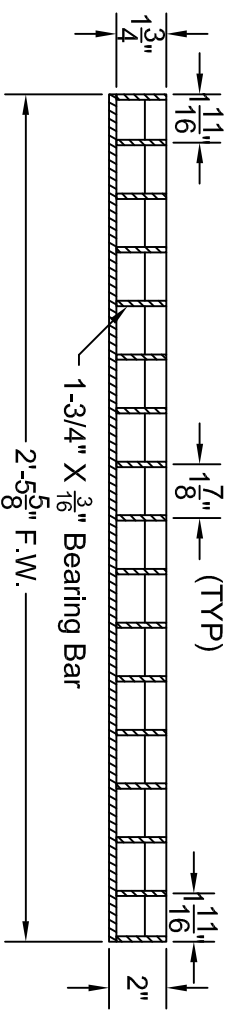
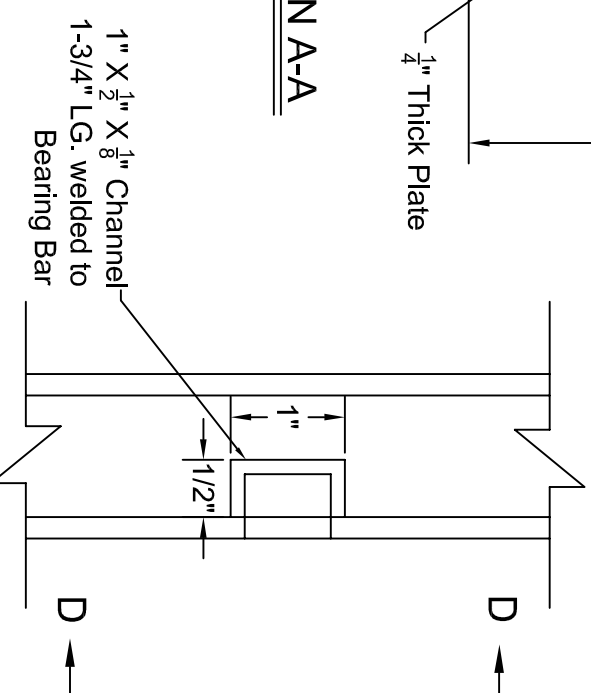


**SECTION B-B**

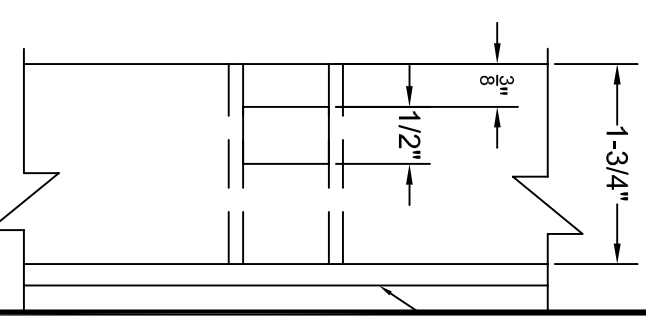


**SECTION A-A**

**DETAIL C**



**VIEW D-D**



- NOTE:  
 1) ALL MATERIAL GALVANIZED AS PER A.S.T.M. A-153  
 2) MATERIAL : ROLLED STEEL  
 3) WEIGHT : 113 LBS

<b>GARDEN STATE PRECAST</b>	
<b>1630 WYCKOFF ROAD, WALL, NJ 07719</b>	
COVER 28" X 30" HANDHOLE	
REF. PSE&G DWG. NO. : DU-11-M-5136-3	
DATE : MARCH 30, 2009	DWG. BY : CSK / GFI
REV. NO. :	REV. DT :
	CHKD BY : AJ / GFI