

Kor-N-Seal[®] II

206 Series Pipe-to-Manhole Connector



CORRUGATED RUBBER DESIGN

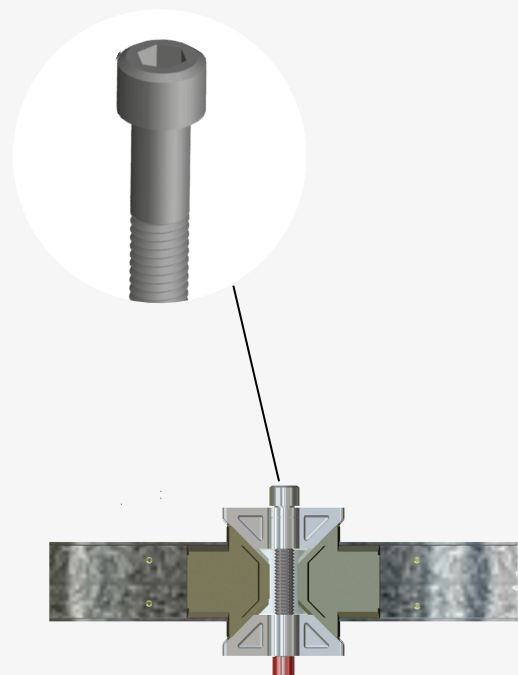
Corrugated profile for easier installation and positioning of the pipe in trench.

Designed for larger pipe sizes 18" - 51"

Larger sizes available

Meets the specifications of ASTM C923

The 206 Series Connector is designed with an Allen Head Wedge Bolt for easier installation of the connector into the manhole.



KOR-N-SEAL II 206 SERIES PIPE-TO MANHOLE CONNECTOR

To fit larger sized pipe into smaller diameter manholes, please refer to our Kor-N-Seal II 306 Series Connectors.

Using Corrugated Pipe:
Adapters are required when using Corrugated Pipe. Refer to the Corrugated Pipe Adapter Data Sheet for details.

NOMINAL HOLE SIZE (inches)	MODEL NUMBER	PIPE O.D. RANGE (inches)	MINIMUM MANHOLE SIZE REQUIRED (inches)
18"	S206-18L	15.000-15.625	48/4
20"	S206-20 S206-20L	15.625-17.000 17.000-17.625	48/4 48/4
22"	S206-22 S206-22L	17.625-19.000 19.000-19.625	48/4 48/4
24"	S206-24A S206-24 S206-24L	18.000-19.500 19.625-21.000 21.000-21.625	48/5 48/5 48/5
26"	S206-26 S206-26L	21.625-23.000 23.000-23.625	48/5 48/5
28"	S206-28 S206-28L	23.625-25.000 25.000-25.625	48/5 48/5
30"	S206-30 S206-30L	25.625-27.000 27.000-27.625	48/6 48/6
32"	S206-32 S206-32L	27.625-29.000 29.000-29.625	60/6 60/6
34"	S206-34 S206-34L	29.625-31.000 31.000-31.625	60/6 60/6
36"	S206-36 S206-36L	31.625-33.000 33.000-33.625	60/7 60/7
38"	S206-38 S206-38L	33.625-35.000 35.000-35.625	60/7 60/7
40"	S206-40 S206-40L	35.625-37.000 37.000-37.625	60/8 60/8
42"	S206-42 S20642L	37.625-39.000 39.000-39.625	60/8 60/8
44"	S206-44 S206-44L	39.625-41.000 41.000-41.625	72/8 72/8
46"	S206-46 S206-46L	41.625-43.000 43.000-43.625	84/8 84/8
48"	S206-48 S206-48L	43.625-45.000 45.000-45.625	84/8 84/8
50"	S206-50 S206-50L	45.000-45.625 45.625-47.000	84/9 84/9
52"	S206-52 S206-52L	47.000-47.625 47.625-49.000	84/9 84/9
54"	S206-54 S206-54L	49.000-49.625 49.625-51.000	96/8.5 96/8.5

Larger sizes quoted upon request.



TRELLEBORG

WWW.TRELLEBORG.COM/PIPE-SEALS