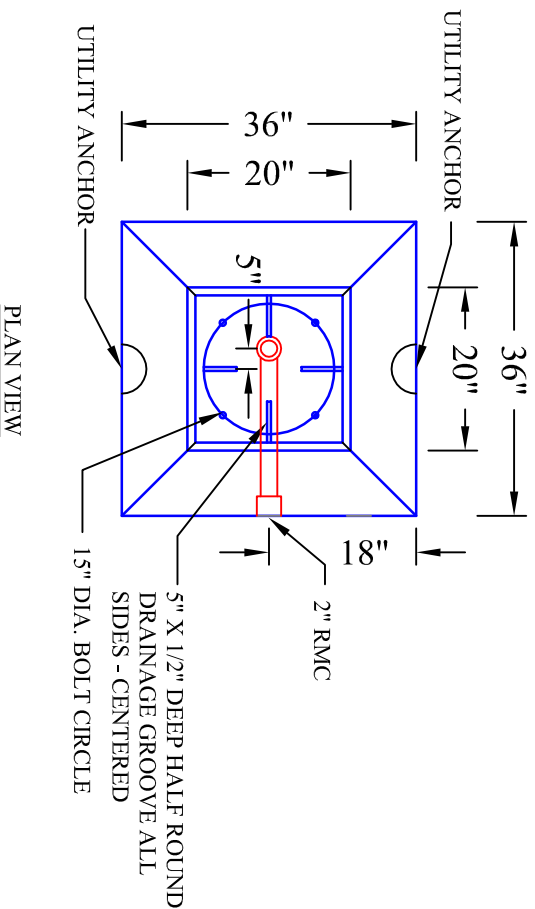


SECTION VIEW

1. CLASS B CONCRETE.
WEIGHT=3,700 LBS



PLAN VIEW

NOTES
RMC AND ANCHOR BOLTS
SUPPLIED BY GSP

MARCH 2009

SHEET

1 OF 1

CLASS "B" CONCRETE
WEIGHT=3,700 LBS.

PRECAST
NJTA TYPE "2"
LIGHT POLE BASE

GARDEN STATE PRECAST
FARMINGDALE, N.J.
PHONE #: 732-938-4436 FAX #: 732-938-6069