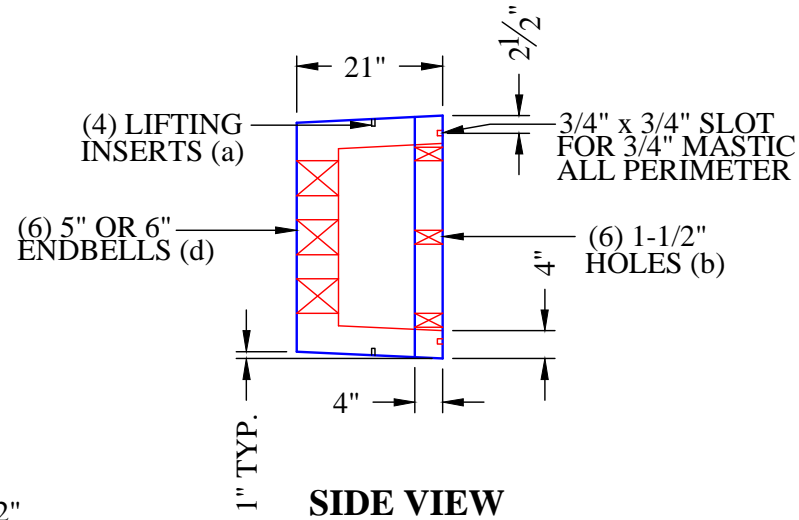
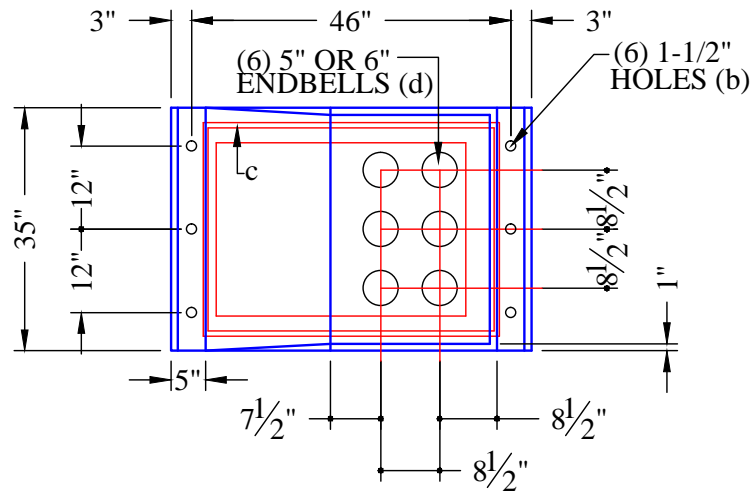


PLAN VIEW



SIDE VIEW



FRONT VIEW

NOTES:

1. 4,000 PSI CONCRETE AT 28 DAYS.
2. REINFORCEMENT BARS PER ASTM A-615, GRADE 60
WELDED WIRE FABRIC PER ASTM A-185, GRADE 70
3. ANY ALTERATION TO THIS DRAWING MUST BE SUBMITTED TO GSP IN WRITING PRIOR TO PRODUCTION.

SHEET
 1 OF
 1

WEIGHT
 1,300 LBS.
 LIFTING
 (4) 3/4" FERRULE
 LIFTING INSERTS

PSE&G
 EXTENSION BUBBLE
 W083546

GARDEN STATE PRECAST
 FARMINGDALE, N.J.
 PHONE #: 732-938-4436 FAX #: 732-938-6069