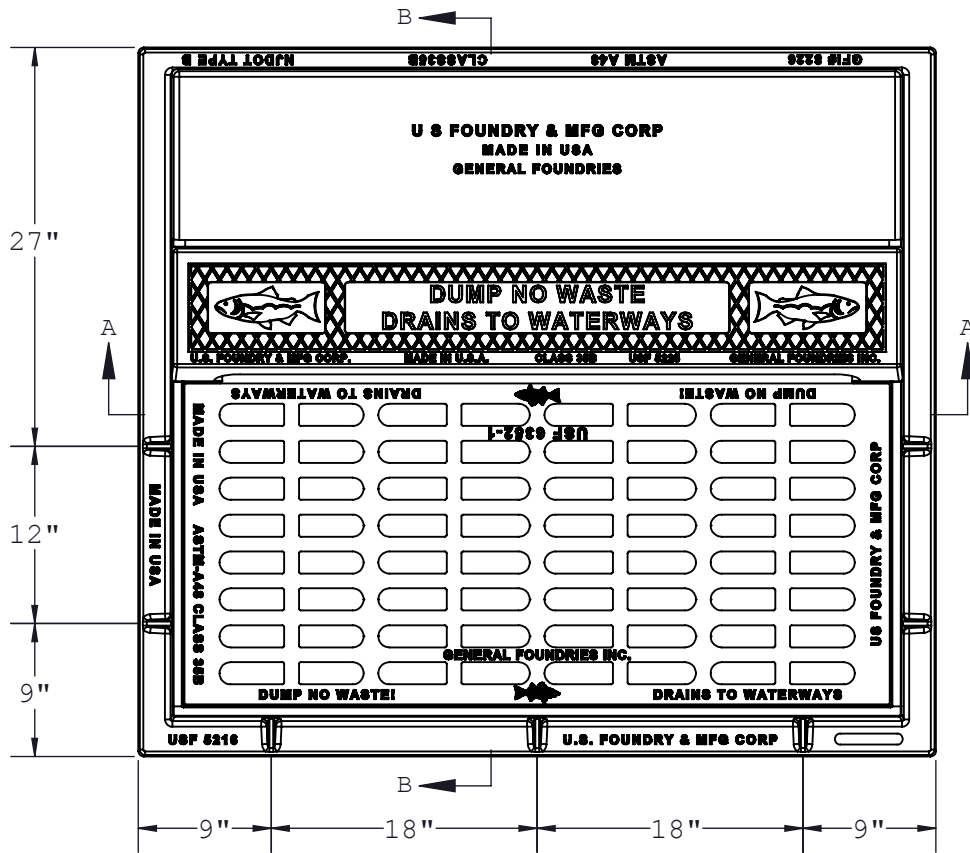
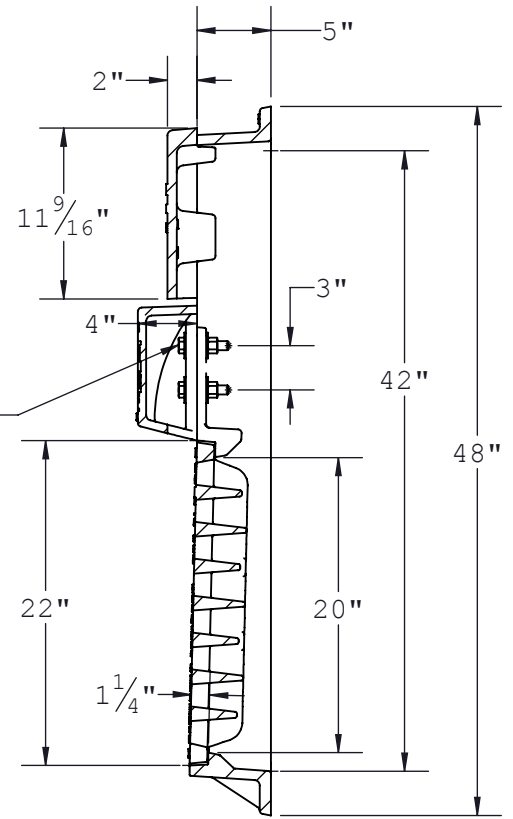


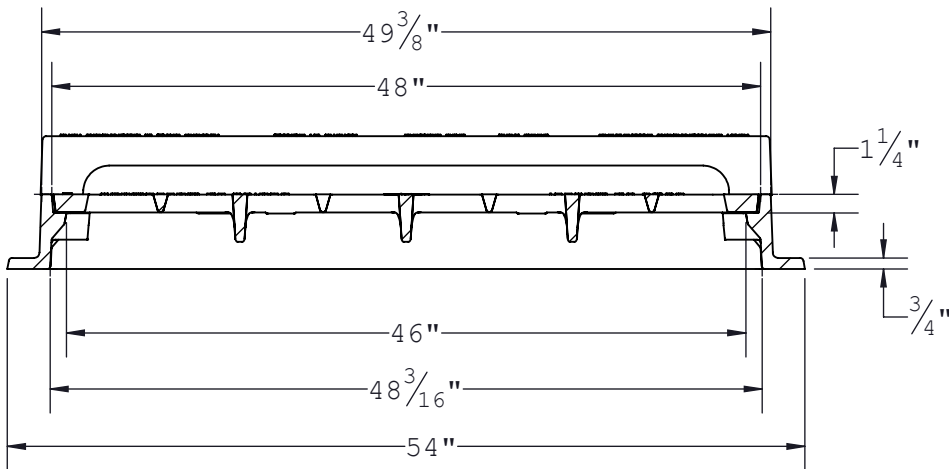
THE INFORMATION CONTAINED IN THIS DRAWING IS THE SOLE PROPERTY OF U.S. FOUNDRY & MANUFACTURING CORP. ANY REPRODUCTION IN PART OR AS A WHOLE WITHOUT THE WRITTEN PERMISSION OF U.S. FOUNDRY & MANUFACTURING CORP. IS PROHIBITED. U.S. FOUNDRY & MANUFACTURING CORP. RESERVES THE RIGHT TO MAKE MODIFICATIONS TO DESIGN WITHOUT PRIOR NOTICE. DRAWING IS UNCONTROLLED WHEN PRINTED. WEIGHTS AND DIMENSIONS ARE PROVIDED FOR REFERENCE ONLY © 2015 US FOUNDRY AN EAGLE MANUFACTURING COMPANY



(4) $\text{Ø}5/8$ " Hx Hd 3" long Bolt, Nut, 2 Washers



SECTION B-B



SECTION A-A



US FOUNDRY

AN EAGLE MANUFACTURING COMPANY © 2015 All Rights Reserved

8351 NW 93rd Street
Medley, FL, 33166-2025
ph: 1-800-432-9709
fax: 305-887-9429
www.usfoundry.com

USF 5224 Fr, BckPl, Hd & 6352-1 Gr

| | | |
|---|----------------|--------------------------------------|
| LOAD CLASSIFICATION: Heavy Duty | | FLOW AREA: 416 in² |
| MATERIAL: Gray Cast Iron ASTM A-48 Class 35B | | |
| ITEM: | BAAN # | DRAWING |
| Fr, BckPl, Hd | 8050153 | |
| Grate | 8077155 | DATE 6/10/2014 |
| | | DRAWN BY ULS/AB |
| REV | DATE | REV BY |
| 0 | | |
| | | QUOTE # |

Customer Drawing

For a complete product offering. Please visit us at www.usfoundry.com